

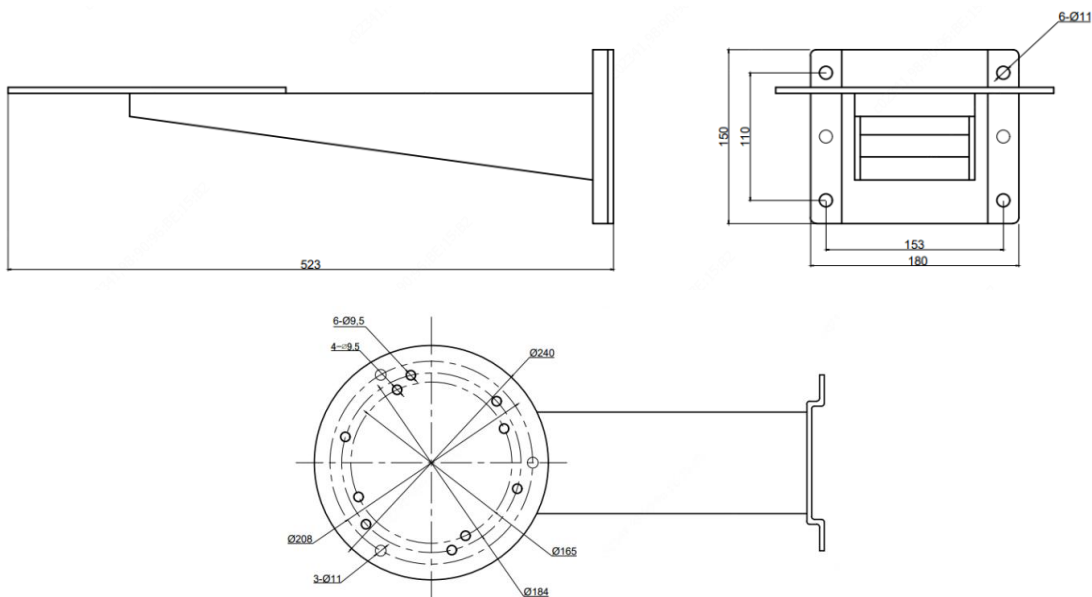
TR-WM08-B Platform Wall Mount Bracket



Specifications

Bracket	TR-WM08-B
Application Environment	Indoor/Outdoor
Application Range	76series/explosion-proof position system
Dimensions(L x W x H)	523mm*180mm*150mm (20.6"x7.1"x5.9")
Weight	6.0kg(13.2lb)
Bearing capacity	40.0kg(88.0lb)
Material	Stainless steel

Dimensions



Ordering Information

Bracket	Remarks
TR-WM08-B	Platform Wall Mount Bracket

Zhejiang Uniview Technologies Co.,Ltd.

South Tower, Building 10, Wanlun Science Park, 88 Jiangling Road, Hangzhou, P.R.China 310051

Email: overseasbusiness@uniview.com; globalsupport@uniview.com

<http://www.uniview.com>

©2019 Zhejiang Uniview Technologies Co.,Ltd. All rights reserved.

*Product specifications and availability are subject to change without notice.